



Bus Enabled, Addressable 4-Zone dry Contact Input Module. used for Automation, to connect to any door window sensor, PIR , Gas leak, Smoke detectors, Water Leak sensors, Pressure Mats, panic...etc. (supports 4 zones Security & Safety). Another application is for converting Classical Manual Switches into BUS Automation use. Built-in intelligence and delay function, 2-Way Switch update status function. Can fit behind switch into wall box. **Added function: Bigger screw terminals, Broadcast button, and mini USB firmware upgrade port.

technical data

Inputs
4-Dry Inputs (Volt Free)

NO/NC
Internal Assignment enabled using Software setup

- Applications**
- Security Applications in connection to: (vibration, UV, magnetic contacts, Panic, Pressure matt, PIR, microwave, Drive-way sensors...etc.)
 - Safety Applications in connection to: (Gas Leak, Smoke, Pool Guard, Elevator Panic, CO gas, Bathroom Help..etc.)
 - Maintenance and Health Applications in connection to: (water Leak detector, water tank low level alert, Filter clogged sensor...etc.)
 - Converting Manual Wall Switches into Automation enabled

- User Controls**
- LED status indicator/channel
 - Diagnostic LED+ BROADCAST

Programming
• Advanced Software Configuration & Programming

Compliance
CE Mark EMC



Control IO
1 x Advanced RS485 S-BUS serial port links (both train & screw link types)

Upgrade IO
1 x mini USB port (to connect to special programming board)

- Operation Protection**
- BUS Rv. Polarity Protection
 - BUS Short Circuit Protection

SBUS DC Supply
24VDC with flexible tolerance between 8-32VDC. Flexible ability to add power supply as to be needed any where
Power consumption: 12mA

Installation
• universal Mount Ready

Operating Environment
0° to 45°C ambient temperature
20% to 93% RH

Enclosure material
Polycarbonate

Dimensions & Weight
W 46mm x L 46mm x H 16mm
Packed weight 0.06 kg

control compatibility • Security • Safety • Maintenance • Health
• Converting normal switches into automated ones



commercial

GTIN (UPC-EAN): 0610696254023
Patent P. No: 201110123081.0

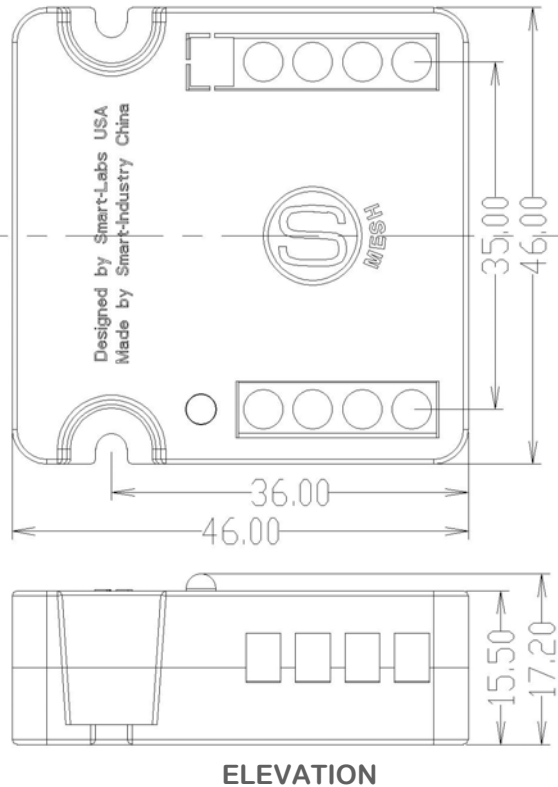
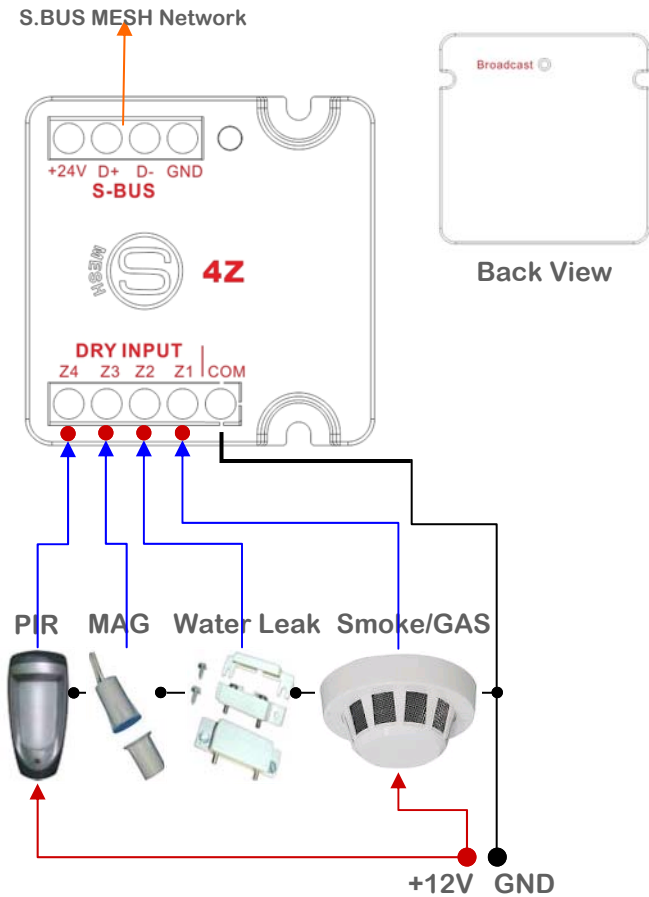


0 610696 254023

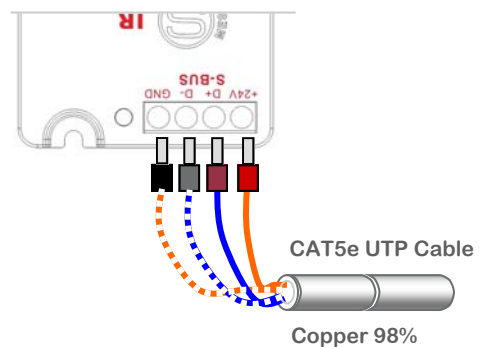


connection diagram **G4**

mounting dimensions **G4**



S-BUS connection **G4**



UTP core colors **G4**

S.BUS +24V		orange
S.BUS GND		w/orange
S.BUS D+		blue
S.BUS D-		w/blue
Spare		green
Spare		w/green
Spare +12v		brown
Spare -12V		w/brown



www.smarthomebus.com • info@smarthomebus.com
USA - Germany - Denmark - Hong Kong - Jordan - China - UAE

SB-G4 Data Sheet Rev 1.0 released Sept 2011

Specifications subject to change without notice. © Smarthome® -Group Trading as Smart-BUS®, Texas 77043 - USA. All rights reserved. Smart Mesh®, Smarthome BUS® and all other associated logos are the registered trademarks of Smart-Group®. Not to be used nor reproduced without written permission. All Patents and IPO's Remain owned by SmartHome® Group